

## Aquia IV® Cube 1G® WASHLET®+ S550e Two-Piece Toilet - 1.28 and 0.8 GPF

### FEATURES

- Concealed supply connection for seamless installation
- DYNAMAX TORNADO FLUSH® utilizes 360° cleaning power to reach every part of the bowl
- High-efficiency dual flush 1.28 & 0.8 GPF (4.8 & 3.0 LPF)
- CEFIONTECT® ceramic glaze prevents debris and mold from sticking to ceramic surfaces
- Design of the bowl reduces water flow resistance resulting in a quieter flushing sound
- Completely skirted design for a sleek and understated look that's easier to clean
- Universal Height
- 12" Rough-in
- Elongated front bowl and WASHLET+ S550e and tank set
- EWATER+® auto-cleans wand and bowl
- On-demand remote function cleans wand with EWATER+
- PREMIST of bowl before each use
- Remote control operated
- Auto Flush available as upgrade
- Auto Open / Close Lid
- Night Light



### MODELS & COMPONENTS

- **MW4363056CEMFGA#01**  
With CEFIONTECT ceramic glaze, WASHLET+ S550e with contemporary design and Auto Flush
    - CT446CUFGT40  
Elongated bowl with CEFIONTECT
    - ST436EMA  
Tank and cover only
    - SW3056AT40  
WASHLET® S550e - Auto Flush compatible
    - 9AU321-A  
WASHLET adapter
    - THU765  
Auto Flush Kit
  - **MW4363056CEMFG#01**  
Same as MW4363056CEMFGA without Auto Flush
    - CT446CUFGT40  
Elongated bowl with CEFIONTECT
    - ST436EMA  
Tank and cover only
    - SW3056AT40  
WASHLET S550e
    - 9AU321-A  
WASHLET adapter
- Optional Components**
- **TSU08W.10**  
10" Unifit Rough-In
  - **TSU08W.14**  
14" Unifit Rough-In

### COLORS/FINISHES

- #01 Cotton

-  **DYNAMAX TORNADO FLUSH**
-  **EWATER+**
-  **CEFIONTECT**
-  **Auto Flush**
-  **UNIVERSAL HEIGHT**

### PRODUCT SPECIFICATION

The two-piece, ultra high-efficiency, DYNAMAX TORNADO FLUSH toilet shall be dual flush 1.28 GPF/0.8 GPF. Toilet shall have CEFIONTECT ceramic glaze, elongated front bowl, high profile tank, complete skirted bowl and chrome plated trip lever. Toilet shall be TOTO Model MW4363056CEMFG\_\_#01. See SW3056AT40 Specification Sheet for details on included WASHLET.

### CODES/STANDARDS

- Meets and exceeds ASME A112.19.2/CSA B45.1, ASME A112.19.14
- Certifications: IAPMO(cUPC®), EPA WaterSense, State of Massachusetts, and others
- Code Compliance: UPC, IPC, NSPC, NPC Canada, and others
- Legislative Compliance: California Green Building Code, City of Los Angeles Water Efficiency Ordinance, and others
- Complies with CA Prop 65 warning requirements
- ADA compliant when installed with trip lever on the approach side



# MW4363056CEMFG(A)

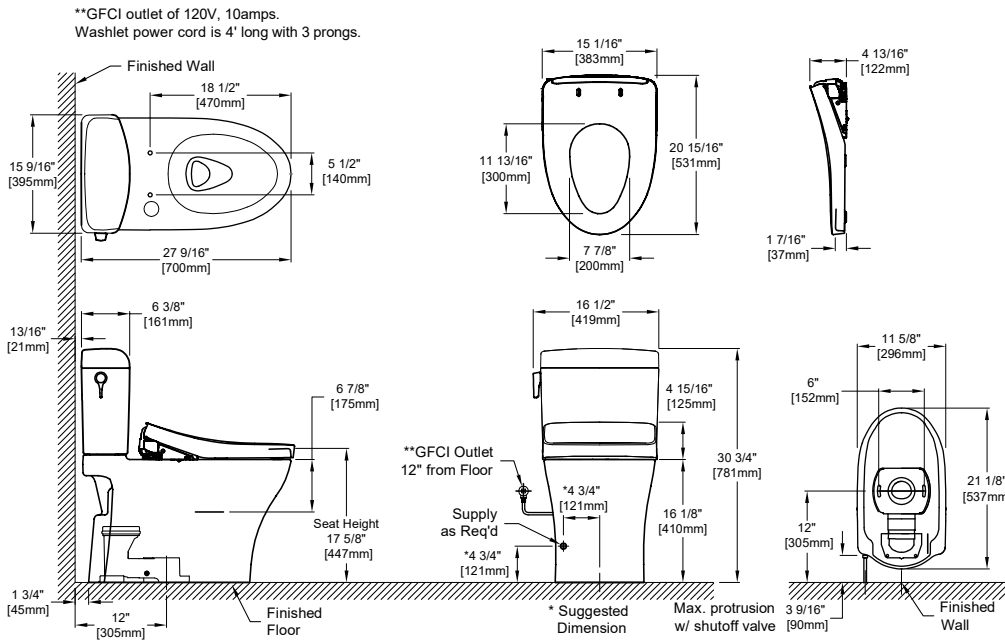
## Aquia IV® Cube 1G® WASHLET®+ S550e Two-Piece Toilet - 1.28 and 0.8 GPF

### SPECIFICATIONS

<b>Water Use</b>	1.28 & 0.8 GPF (4.8 & 3.0 LPF)
<b>Flush System</b>	DYNAMAX TORNADO FLUSH®
<b>Min. Water Pressure</b>	8 psi (Flowing)
<b>Water Surface</b>	5-5/8" x 4-1/8"
<b>Trap Diameter</b>	2-1/2"
<b>Rough-in</b>	12" (10" and 14" options available)
<b>Trap Seal</b>	2-1/8"
<b>Warranty</b>	One Year Limited Warranty
<b>Material</b>	Vitreous China
<b>Shipping Weight</b>	CT446CUFGT40 85 lbs ST436EMA 29 lbs
<b>Shipping Dimensions</b>	CT446CUFGT40 30-3/4" L x 17-3/8" W x 20-1/2" H ST436EMA 17-1/4" L x 7-1/8" W x 15-1/4" H

See SW3056AT40 Specification Sheet for details on included WASHLET.

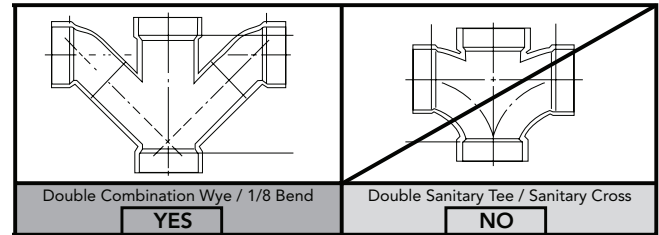
### DIMENSIONS



### INSTALLATION NOTES

#### Back-to-Back Toilet Installations:

TOTO recommends the use of a nationally listed, double sanitary tee-wye only, in vertical waste stacks, in accordance with the stipulations noted in the majority of nationally recognized plumbing codes.



To maintain adequate wall gap between the back of the tank and wall, mount the floor flange at a nominal 12" rough-in distance.

Ultra-low high efficiency toilets require a system with adequate supplemental flows from other water usage fixtures and a 4" ID drainline with minimum 2% slope and maximum linear runs of 60ft.

**TOTO®**

These dimensions and specifications are subject to change without notice

Ph: (888) 295-8134 | Fax: (800) 699-4889 | www.totousa.com | © TOTO USA

# SS-01700 v.01